

Product data sheet

Specifications



Surge protection device, HEPD, 25kA, 120/240 V, 1 phase, 3 wire, SPD type 1

HEPD25

Product availability : Stock - Normally stocked in distribution facility

Price* : 95.00 USD

Main

Product	Surge protection device
Range	Square D
Device Short Name	HEPD

Complementary

Voltage Rating	120/240 V AC
MCOV	150 V
SCCR	22 kA
Surge Current	25 kA per phase
Voltage Protection Rating	600 V L-N
Nominal Discharge Current	10 kA
Number of Phases	1 phase
Wiring Configuration	3-wire (isolated ground)
Local Signalling	1 LED green normal operation
Product destination	Load center
Height	2.45 in (62.23 mm)
Width	2.89 in (73.41 mm)
Depth	2.06 in (52.32 mm)

Environment

Enclosure Rating	NEMA 4X
------------------	---------

Ordering and shipping details

Category	08461-SURGE PROTECTION RESI
Discount Schedule	DE1B
GTIN	785901479611
Returnability	Yes
Country of origin	MX

* Price is "List Price" and may be subject to a trade discount – check with your local distributor or retailer for actual price.

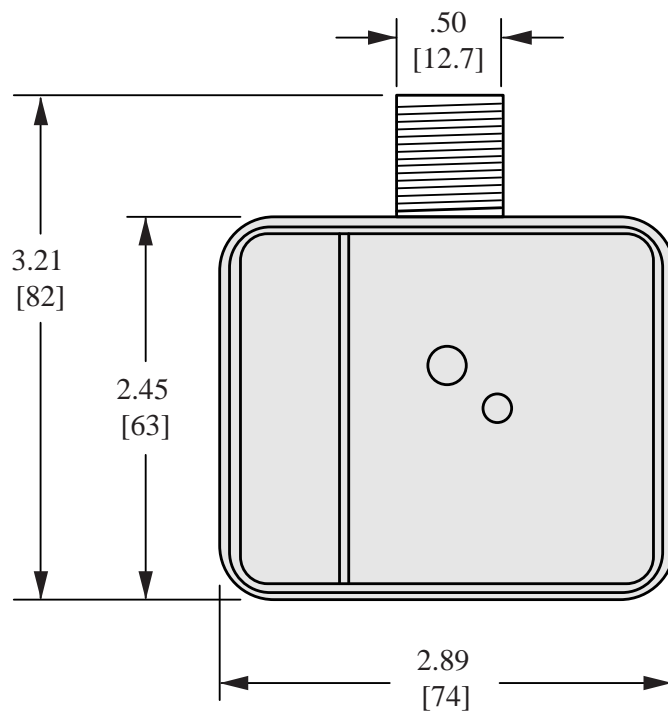
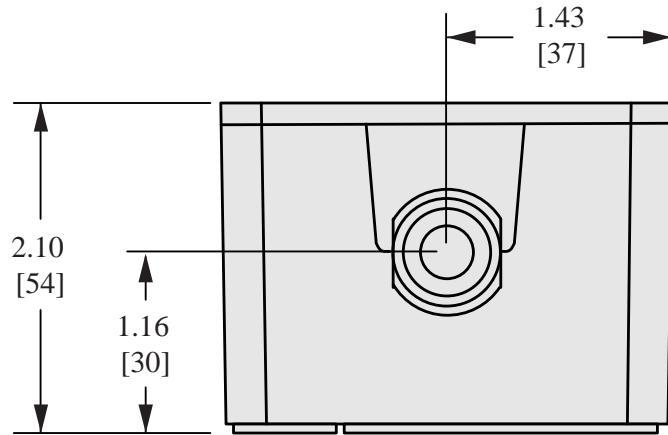
Packing Units

Unit Type of Package 1	PCE
Number of Units in Package 1	1
Package 1 Height	8.07 in (20.5 cm)
Package 1 Width	3.23 in (8.2 cm)
Package 1 Length	5.83 in (14.8 cm)
Package 1 Weight	1.32 lb(US) (0.6 kg)

Offer Sustainability

California proposition 65	WARNING: Cancer and Reproductive Harm - www.P65Warnings.ca.gov
REACH Regulation	REACH Declaration
EU RoHS Directive	Compliant EU RoHS Declaration
Mercury free	Yes
China RoHS Regulation	China RoHS declaration Product out of China RoHS scope. Substance declaration for your information.
RoHS exemption information	Yes

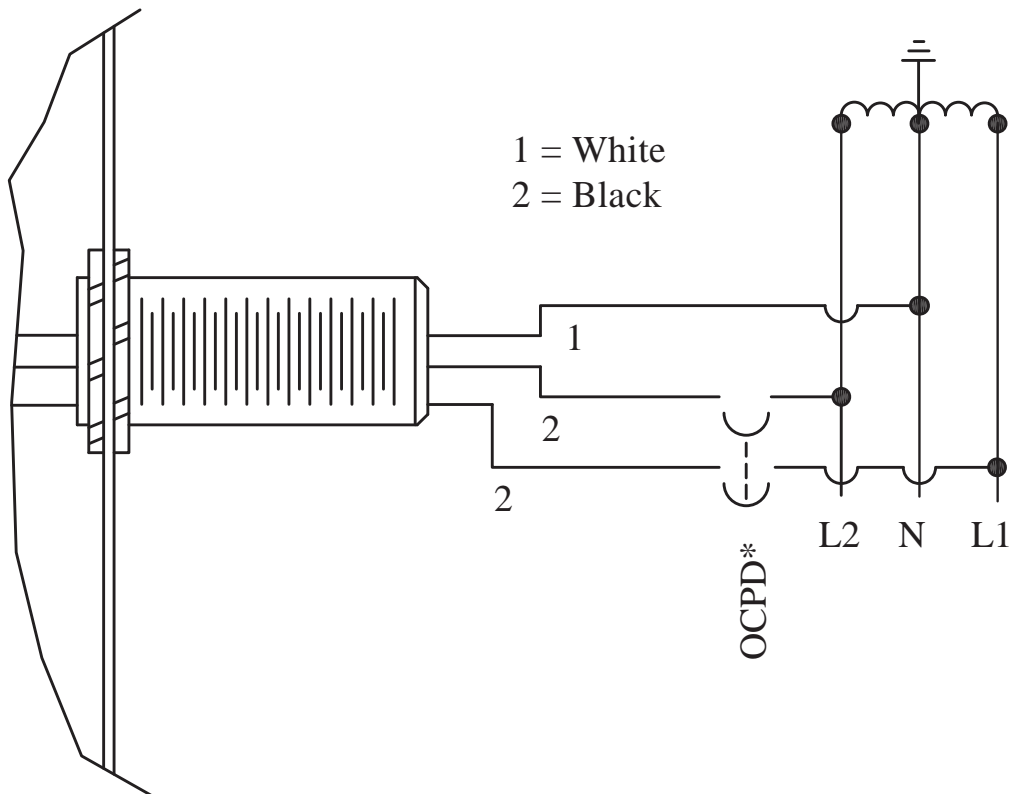
Dimensions



in.
[mm]

TI_DIM_HEPD25

Typical AC Surge Module Wiring Connection Diagram



Service Entrance without Grounding Bar

120/240 V 1Ø, 3-Wire Circuit

*OCPD = Overcurrent protection device (optional)

Refer to technical documentation for complete information.

Recommended replacement(s)